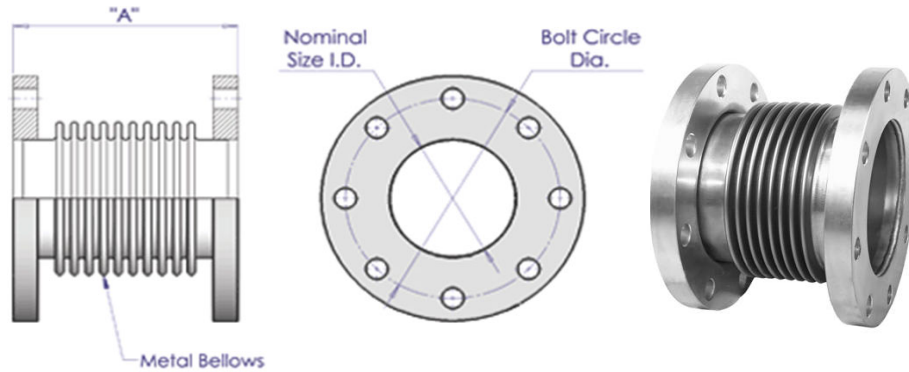


MODEL NLC EXPANSION JOINT 50 PSI FLANGED ENDS



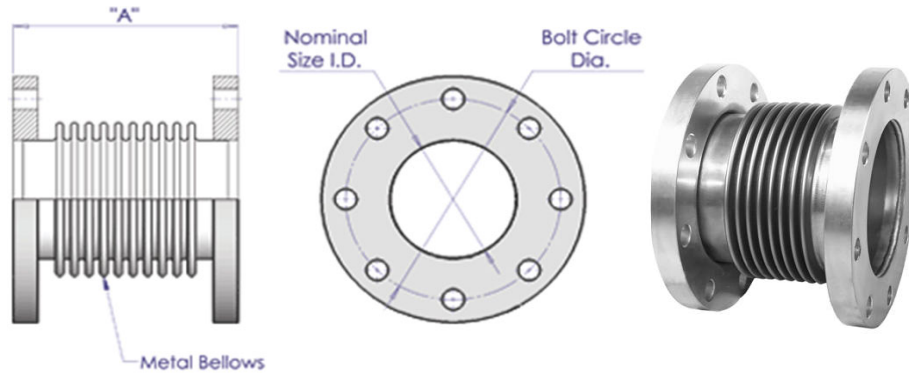
The Flexicraft NLC expansion joint provides the perfect balance between value and performance. With two standard lengths and three pressure ratings of 50, 150, and 250 psi available, they can be delivered relatively quickly. Non-standard designs and diameters in any size are also easily available.

Maximum Working Pressure 50 psi
 Working Temperature 500°F
 Bellows 316 Stainless Steel
 Ends 150# C/S Plate Flanges

Dimensions			Pressure	Movement			Stiffness			Thrust Area	Weight	Product No.
Size	Type	Length A		Axial	Lateral	Rot	Axial	Lateral	Rot			
in	S/L	in	psi	in	in	deg	lbs/in	lbs/in	lbs/deg	in ²	lbs	
2	S	6.50	50	1.125	0.2	8	516	4370	8	5	11	MNLC50FS0200
2	L	8.50	50	1.75	0.3	10	319	680	5	5	13	MNLC50FL0200
2.5	S	7.00	50	1	0.2	8	498	4370	8	9	14	MNLC50FS0250
2.5	L	8.88	50	1.75	0.3	10	299	680	5	9	16	MNLC50FL0250
3	S	7.38	50	1	0.2	8	349	6070	11	11	17	MNLC50FS0300
3	L	9.00	50	2	0.4	10	233	940	7	11	18	MNLC50FL0300
4	S	7.50	50	1.25	0.25	8	803	19700	43	19	27	MNLC50FS0400
4	L	10.75	50	2.5	0.5	10	401	1240	22	19	28	MNLC50FL0400
5	S	7.63	50	1.25	0.15	8	987	59200	79	29	33	MNLC50FS0500
5	L	11.25	50	2.5	0.4	10	465	2230	37	29	34	MNLC50FL0500
6	S	8.00	50	1.25	0.125	8	1171	77500	127	39	47	MNLC50FS0600
6	L	11.50	50	2.5	0.4	10	55	2700	60	39	48	MNLC50FL0600
8	S	9.25	50	1.5	0.2	8	1222	78600	218	64	64	MNLC50FS0800
8	L	13.25	50	3	0.7	10	611	2800	109	64	71	MNLC50FL0800
10	S	9.38	50	1.5	0.2	8	1659	67900	189	102	45	MNLC50FS1000
10	L	14.38	50	3.375	0.75	10	1226	3700	82	102	52	MNLC50FL1000
12	S	9.75	50	1.5	0.2	8	784	99000	307	141	70	MNLC50FS1200
12	L	13.50	50	3.25	0.75	10	435	5700	171	141	85	MNLC50FL1200
14	S	10.38	50	1.75	0.25	8	2200	120000	861	183	98	MNLC50FS1400
14	L	15.00	50	3.5	0.75	10	1100	6552	432	183	112	MNLC50FL1400
16	S	11.25	50	1.75	0.25	8	1720	93818	674	237	112	MNLC50FS1600
16	L	16.75	50	3.5	0.75	10	860	5122	338	237	127	MNLC50FL1600
18	S	11.50	50	1.75	0.25	8	1640	89455	642	298	112	MNLC50FS1800
18	L	17.00	50	3.5	0.75	10	820	4884	322	298	123	MNLC50FL1800
20	S	13.38	50	1.75	0.25	8	1960	106909	768	362	130	MNLC50FS2000
20	L	18.88	50	3.5	0.75	10	980	5837	385	362	146	MNLC50FL2000
22	S	14.00	50	1.75	0.25	8	2040	111273	799	434	140	MNLC50FS2200
22	L	19.50	50	3.5	0.75	10	1020	6075	401	434	157	MNLC50FL2200
24	S	14.25	50	1.75	0.25	8	2460	134182	963	512	220	MNLC50FS2400
24	L	19.75	50	3.5	0.75	10	1230	7326	484	512	240	MNLC50FL2400

	Proposal/Inquiry/Order No. _____	NOTES:
	Customer Name: _____	
Project Name: _____		
Contractor: _____		
Model NLC expansion joints combine excellent performance and economy. They can usually be provided quickly.		
PRINT CERTIFICATION: Certified Correct As Of: _____ By: _____		

MODEL NLC EXPANSION JOINT 150 PSI FLANGED ENDS



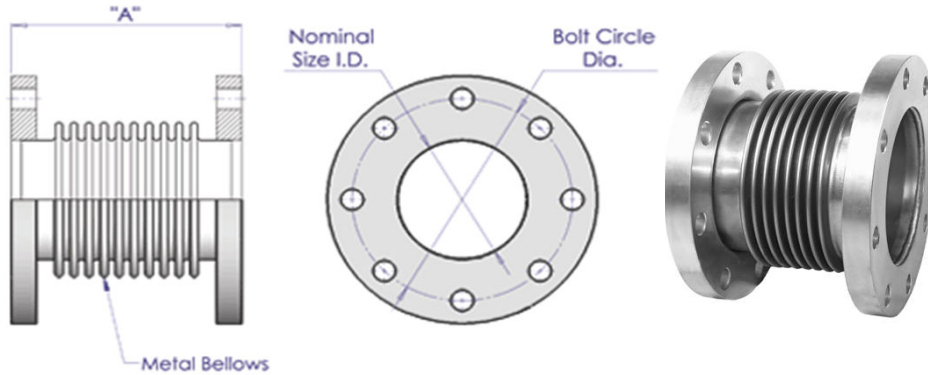
The Flexicraft NLC expansion joint provides the perfect balance between value and performance. With two standard lengths and three pressure ratings of 50, 150, and 250 psi available, they can be delivered relatively quickly. Non-standard designs and diameters in any size are also easily available.

Maximum Working Pressure . . . 150 psi
 Working Temperature 500°F
 Bellows 316 Stainless Steel
 Ends 150# C/S Plate Flanges

Dimensions			Pressure	Movement			Stiffness			Thrust Area	Weight	Product No.
Size	Type	Length		Axial	Lat	Rot	Axial	Lateral	Rot			
in	S/L	in	psi	in	in	in	lbs/in	lbs/in	lbs/deg	in ²	lbs	
2	S	6.50	150	1.125	0.2	8	516	4370	8	5	11	MNLC15FS0200
2	L	8.50	150	1.75	0.3	10	319	680	5	5	13	MNLC15FL0200
2.5	S	7.00	150	1	0.2	8	498	4370	8	9	15	MNLC15FS0250
2.5	L	8.88	150	1.75	0.3	10	299	680	5	9	16	MNLC15FL0250
3	S	7.38	150	1	0.2	8	349	6070	11	11	20	MNLC15FS0300
3	L	9.00	150	2	0.4	10	233	940	7	11	21	MNLC15FL0300
4	S	7.50	150	1.25	0.25	8	803	19700	43	19	35	MNLC15FS0400
4	L	10.75	150	2.5	0.5	10	401	1240	22	19	38	MNLC15FL0400
5	S	7.63	150	1.25	0.15	8	987	59200	79	29	45	MNLC15FS0500
5	L	11.25	150	2.5	0.4	10	465	2230	37	29	49	MNLC15FL0500
6	S	8.00	150	1.25	0.125	8	1171	77500	127	39	85	MNLC15FS0600
6	L	11.50	150	2.5	0.4	10	551	2700	60	39	90	MNLC15FL0600
8	S	9.25	150	1.5	0.2	8	1222	78600	218	64	120	MNLC15FS0800
8	L	13.25	150	3	0.7	10	611	2800	109	64	125	MNLC15FL0800
10	S	9.38	150	1.5	0.2	8	1659	67900	455	97	160	MNLC15FS1000
10	L	14.38	150	3.25	0.75	10	1226	3700	329	99	170	MNLC15FL1000
12	S	9.75	150	1.5	0.2	8	1815	233000	700	139	200	MNLC15FS1200
12	L	13.50	150	3.125	0.75	10	957	9800	369	139	220	MNLC15FL1200
14	S	10.38	150	1.5	0.2	8	3960	508364	1527	183	220	MNLC15FS1400
14	L	15.00	150	3	0.5	10	1990	20378	767	183	240	MNLC15FL1400
16	S	11.25	150	1.5	0.2	8	3360	431339	1296	237	232	MNLC15FS1600
16	L	16.75	150	3	0.5	10	1680	17204	648	237	250	MNLC15FL1600
18	S	11.50	150	1.5	0.2	8	5200	667548	2006	298	296	MNLC15FS1800
18	L	17.00	150	3	0.5	10	2600	26625	1003	298	314	MNLC15FL1800
20	S	13.38	150	1.5	0.2	8	5600	718898	2160	362	378	MNLC15FS2000
20	L	18.88	150	3	0.5	10	2800	28673	1080	362	402	MNLC15FL2000
22	S	14.00	150	1.5	0.2	8	5700	731736	2198	434	426	MNLC15FS2200
22	L	19.50	150	3	0.5	10	2850	29185	1099	434	454	MNLC15FL2200
24	S	14.25	150	1.5	0.2	8	6100	783085	2353	512	495	MNLC15FS2400
24	L	19.75	150	3	0.5	10	3030	31028	1168	512	520	MNLC15FL2400

	Proposal/Inquiry/Order No. _____	NOTES: _____ _____ _____ _____ _____
	Customer Name: _____	
	Project Name: _____	
	Contractor: _____	
PRINT CERTIFICATION: Certified Correct As Of: _____ By: _____	Model NLC expansion joints combine excellent performance and economy. They can usually be provided quickly.	

MODEL NLC EXPANSION JOINT 250 PSI FLANGED ENDS



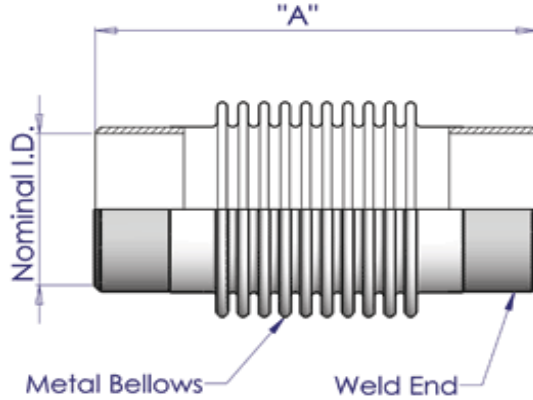
The Flexicraft NLC expansion joint provides the perfect balance between value and performance. With two standard lengths and three pressure ratings of 50, 150, and 250 psi available, they can be delivered relatively quickly. Non-standard designs and diameters in any size are also easily available.

Maximum Working Pressure . . . 250 psi
 Working Temperature 500°F
 Bellows 316 Stainless Steel
 Ends 300# C/S Flanges

Dimensions			Pressure psi	Movement			Stiffness			Thrust Area ?	Weight lbs	Product No.
Size in	Type S/L	Length in		Axial in	Lat in	Rot in	Axial lbs/in	Lateral lbs/in	Rot lbs/deg			
2	S	6.50	250	0.75	0.14	8	731	7380	10	5	11	MNLC30FS0200
2	L	8.50	250	1.25	0.25	10	433	980	6	5	13	MNLC30FL0200
2.5	S	7.00	250	0.75	0.14	8	725	7380	10	9	16	MNLC30FS0250
2.5	L	8.88	250	1.25	0.25	10	425	980	6	9	17	MNLC30FL0250
3	S	7.38	250	0.75	0.14	8	1138	21500	34	11	21	MNLC30FS0300
3	L	9.00	250	1.375	0.3	10	759	3300	195	11	22	MNLC30FL0300
4	S	7.50	250	0.875	0.2	8	1775	43900	91	19	37	MNLC30FS0400
4	L	10.75	250	1.75	0.4	10	888	2750	46	19	40	MNLC30FL0400
5	S	7.63	250	0.75	0.2	8	2059	30200	157	28	47	MNLC30FS0500
5	L	11.25	250	1.75	0.3	10	961	4900	73	28	51	MNLC30FL0500
6	S	8.00	250	0.75	0.2	8	2456	185000	257	38	89	MNLC30FS0600
6	L	11.50	250	1.75	0.3	10	1146	7400	120	38	94	MNLC30FL0600
8	S	9.25	250	1	0.125	8	2791	193500	483	63	126	MNLC30FS0800
8	L	13.25	250	2	0.4	10	1395	7560	242	63	131	MNLC30FL0800
10	S	9.38	250	1	0.125	8	2996	322000	804	141	168	MNLC30FS1000
10	L	14.38	250	2.5	0.5	10	979	100600	384	97	179	MNLC30FL1000
12	S	9.75	250	1	0.125	8	4586	862000	1727	136	210	MNLC30FS1200
12	L	13.50	250	2.25	0.4	10	2293	110000	863	136	231	MNLC30FL1200
14	S	10.38	250	1	0.1	8	5120	2431647	1928	183	220	MNLC30FS1400
14	L	15.00	250	2	0.375	10	2560	122809	963	183	240	MNLC30FL1400
16	S	11.25	250	1.5	0.1	8	4240	2013708	1597	237	232	MNLC30FS1600
16	L	16.75	250	3	0.375	10	2120	101701	798	237	250	MNLC30FL1600
18	S	11.50	250	1.5	0.1	8	6500	3087052	2448	298	296	MNLC30FS1800
18	L	17.00	250	3	0.375	10	3240	155430	1219	298	314	MNLC30FL1800
20	S	13.38	250	1.5	0.1	8	7130	3386259	2685	362	378	MNLC30FS2000
20	L	18.88	250	3	0.375	10	3600	172700	1355	362	402	MNLC30FL2000
22	S	14.00	250	1.5	0.1	8	11800	5604187	4444	434	426	MNLC30FS2200
22	L	19.50	250	3	0.375	10	5900	283035	2221	434	454	MNLC30FL2200
24	S	14.25	250	1.5	0.1	8	12300	5841653	4632	512	495	MNLC30FS2400
24	L	19.75	250	3	0.375	10	6200	297427	2333	512	520	MNLC30FL2400

	Proposal/Inquiry/Order No.:	NOTES:
	Customer Name:	
	Project Name:	
	Contractor:	
PRINT CERTIFICATION: Certified Correct As Of: _____ By: _____	Model NLC expansion joints combine excellent performance and economy. They can usually be provided quickly.	

MODEL NLC EXPANSION JOINT 50 PSI WELD ENDS



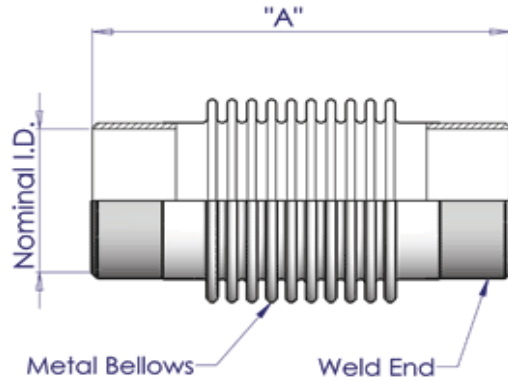
The Flexicraft NLC expansion joint provides the perfect balance between value and performance. With two standard lengths and three pressure ratings of 50, 150, and 250 psi available, they can be delivered relatively quickly. Non-standard designs and diameters in any size are also easily available.

Maximum Working Pressure 50 psi
 Working Temperature 500°F
 Bellows 316 Stainless Steel
 Ends Weld Ends

Dimensions			Pressure	Movement			Stiffness			Thrust Area	Weight	Product No.
Size	Type	Length		Axial	Lateral	Rot	Axial	Lateral	Rot			
in	S/L	in	psi	in	in	in	lbs/in	lbs/in	lbs/deg	?	lbs	
2	S	9.875	50	1.125	0.2	8	516	4370	8	5	3	MNLC50WS0200
2	L	11.75	50	1.75	0.3	10	319	680	5	5	4	MNLC50WL0200
2.5	S	9.875	50	1	0.2	8	498	4370	8	9	3	MNLC50WS0250
2.5	L	11.75	50	1.75	0.3	10	299	680	5	9	4	MNLC50WL0250
3	S	10.5	50	1	0.2	8	349	6070	11	11	5	MNLC50WS0300
3	L	12	50	2	0.4	10	233	940	7	11	6	MNLC50WL0300
4	S	10.625	50	1.25	0.25	8	803	19700	43	19	8	MNLC50WS0400
4	L	13.75	50	2.5	0.5	10	401	1240	22	19	9	MNLC50WL0400
5	S	10.625	50	1.25	0.15	8	987	59200	79	29	13	MNLC50WS0500
5	L	14.25	50	2.5	0.4	10	465	2230	37	29	15	MNLC50WL0500
6	S	11	50	1.25	0.125	8	1,171	77500	127	39	18	MNLC50WS0600
6	L	14.5	50	2.5	0.4	10	55	2700	60	39	20	MNLC50WL0600
8	S	12.125	50	1.5	0.2	8	1,222	78600	218	64	22	MNLC50WS0800
8	L	16.125	50	3	0.7	10	611	2800	109	64	26	MNLC50WL0800
10	S	12.125	50	1.5	0.2	8	1,659	67900	189	102	25	MNLC50WS1000
10	L	17.25	50	3.375	0.75	10	1,226	3700	82	102	32	MNLC50WL1000
12	S	12.5	50	1.5	0.2	8	784	99000	307	141	35	MNLC50WS1200
12	L	16.25	50	3.25	0.75	10	435	5700	171	141	42	MNLC50WL1200
14	S	14.125	50	1.75	0.25	8	2,200	120000	861	183	-	MNLC50WS1400
14	L	18.75	50	3.5	0.75	10	1,100	6552	432	183	-	MNLC50WL1400
16	S	15	50	1.75	0.25	8	1,720	93818	674	237	-	MNLC50WS1600
16	L	20.5	50	3.5	0.75	10	860	5122	338	237	-	MNLC50WL1600
18	S	15	50	1.75	0.25	8	1,640	89455	642	298	-	MNLC50WS1800
18	L	20.5	50	3.5	0.75	10	820	4884	322	298	-	MNLC50WL1800
20	S	15	50	1.75	0.25	8	1,960	106909	768	362	-	MNLC50WS2000
20	L	20.5	50	3.5	0.75	10	980	5837	385	362	-	MNLC50WL2000
22	S	15	50	1.75	0.25	8	2,040	111273	799	434	-	MNLC50WS2200
22	L	20.5	50	3.5	0.75	10	1,020	6075	401	434	-	MNLC50WL2200
24	S	15	50	1.75	0.25	8	2,460	134182	963	512	-	MNLC50WS2400
24	L	20.5	50	3.5	0.75	10	1,230	7326	484	512	-	MNLC50WL2400

	Proposal/Inquiry/Order No.:	NOTES:
	Customer Name:	
	Project Name:	
	Contractor:	
PRINT CERTIFICATION: Certified Correct As Of: _____ By: _____	Model NLC expansion joints combine excellent performance and economy. They can usually be provided quickly.	

MODEL NLC EXPANSION JOINT 150 PSI WELD ENDS



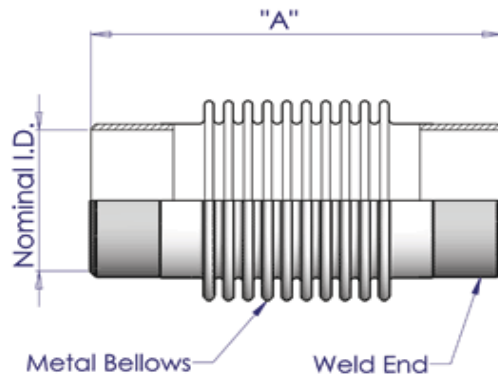
The Flexicraft NLC expansion joint provides the perfect balance between value and performance. With two standard lengths and three pressure ratings of 50, 150, and 250 psi available, they can be delivered relatively quickly. Non-standard designs and diameters in any size are also easily available.

Maximum Working Pressure 50 psi
 Working Temperature 500°F
 Bellows 316 Stainless Steel
 Ends Weld Ends

Dimensions			Pressure	Movement			Stiffness			Thrust Area	Weight	Product No.
Size	Type	Length		Axial	Lateral	Rot	Axial	Lateral	Rot			
in	S/L	in	psi	in	in	in	lbs/in	lbs/in	lbs/deg	?	lbs	
2	S	9.875	150	1.125	0.2	8	516	4370	8	5	3	MNLC15WS0200
2	L	11.75	150	1.75	0.3	10	319	680	5	5	4	MNLC15WL0200
2.5	S	9.875	150	1	0.2	8	498	4370	8	9	3	MNLC15WS0250
2.5	L	11.75	150	1.75	0.3	10	299	680	5	9	4	MNLC15WL0250
3	S	10.5	150	1	0.2	8	349	6070	11	11	5	MNLC15WS0300
3	L	12	150	2	0.4	10	233	940	7	11	6	MNLC15WL0300
4	S	10.625	150	1.25	0.25	8	803	19700	43	19	8	MNLC15WS0400
4	L	13.75	150	2.5	0.5	10	401	1240	22	19	9	MNLC15WL0400
5	S	10.625	150	1.25	0.15	8	987	59200	79	29	13	MNLC15WS0500
5	L	14.25	150	2.5	0.4	10	465	2230	37	29	15	MNLC15WL0500
6	S	11	150	1.25	0.125	8	1171	77500	127	39	18	MNLC15WS0600
6	L	14.5	150	2.5	0.4	10	551	2700	60	39	20	MNLC15WL0600
8	S	12.125	150	1.5	0.2	8	1222	78600	218	64	22	MNLC15WS0800
8	L	16.125	150	3	0.7	10	611	2800	109	64	26	MNLC15WL0800
10	S	12.125	150	1.5	0.2	8	1659	67900	455	97	25	MNLC15WS1000
10	L	17.25	150	3.25	0.75	10	1226	3700	329	99	32	MNLC15WL1000
12	S	12.5	150	1.5	0.2	8	1815	233000	700	139	35	MNLC15WS1200
12	L	16.25	150	3.125	0.75	10	957	9800	369	139	42	MNLC15WL1200
14	S	14.125	150	1.5	0.2	8	3960	508364	1527	183	-	MNLC15WS1400
14	L	18.75	150	3	0.5	10	1990	20378	767	183	-	MNLC15WL1400
16	S	15	150	1.5	0.2	8	3360	431339	1296	237	-	MNLC15WS1600
16	L	20.5	150	3	0.5	10	1680	17204	648	237	-	MNLC15WL1600
18	S	15	150	1.5	0.2	8	5200	667548	2006	298	-	MNLC15WS1800
18	L	20.5	150	3	0.5	10	2600	26625	1003	298	-	MNLC15WL1800
20	S	15	150	1.5	0.2	8	5600	718898	2160	362	-	MNLC15WS2000
20	L	20.5	150	3	0.5	10	2800	28673	1080	362	-	MNLC15WL2000
22	S	15	150	1.5	0.2	8	5700	731736	2198	434	-	MNLC15WS2200
22	L	20.5	150	3	0.5	10	2850	29185	1099	434	-	MNLC15WL2200
24	S	15	150	1.5	0.2	8	6100	783085	2353	512	-	MNLC15WS2400
24	L	20.5	150	3	0.5	10	3030	31028	1168	512	-	MNLC15WL2400

	Proposal/Inquiry/Order No.: _____	NOTES:
	Customer Name: _____	
	Project Name: _____	
	Contractor: _____	
PRINT CERTIFICATION: Certified Correct As Of: _____ By: _____	Model NLC expansion joints combine excellent performance and economy. They can usually be provided quickly.	

MODEL NLC EXPANSION JOINT 250 PSI WELD ENDS



The Flexicraft NLC expansion joint provides the perfect balance between value and performance. With two standard lengths and three pressure ratings of 50, 150, and 250 psi available, they can be delivered relatively quickly. Non-standard designs and diameters in any size are also easily available.

Maximum Working Pressure . . . 250 psi
 Working Temperature 500°F
 Bellows 316 Stainless Steel
 Ends Weld Ends

Dimensions			Pressure	Movement			Stiffness			Thrust Area	Weight	Product No.
Size	Type	Length		Axial	Lateral	Rot	Axial	Lateral	Rot			
in	S/L	in	psi	in	in	in	lbs/in	lbs/in	lbs/deg	?	lbs	
2	S	9.875	250	0.75	0.14	8	433	980	6	5	3	MNLC30WS0200
2	L	11.75	250	1.25	0.25	10	731	7380	10	5	4	MNLC30WL0200
2.5	S	9.875	250	0.75	0.14	8	725	7380	10	9	3	MNLC30WS0250
2.5	L	11.75	250	1.25	0.25	10	425	980	6	9	4	MNLC30WL0250
3	S	10.5	250	0.75	0.14	8	1138	21500	34	11	5	MNLC30WS0300
3	L	12	250	1.375	0.3	10	759	3300	195	11	6	MNLC30WL0300
4	S	10.625	250	0.875	0.2	8	1775	43900	91	19	8	MNLC30WS0400
4	L	13.75	250	1.75	0.4	10	888	2750	46	19	9	MNLC30WL0400
5	S	10.625	250	0.75	0.2	8	2059	30200	157	28	13	MNLC30WS0500
5	L	14.25	250	1.75	0.3	10	961	4900	73	28	15	MNLC30WL0500
6	S	11	250	0.75	0.2	8	2456	185000	257	38	18	MNLC30WS0600
6	L	14.5	250	1.75	0.3	10	1146	7400	120	38	20	MNLC30WL0600
8	S	12.125	250	1	0.125	8	2791	193500	483	63	22	MNLC30WS0800
8	L	16.125	250	2	0.4	10	1395	7560	242	63	26	MNLC30WL0800
10	S	12.125	250	1	0.125	8	2996	322000	804	141	25	MNLC30WS1000
10	L	17.25	250	2.5	0.5	10	979	100600	384	97	32	MNLC30WL1000
12	S	12.5	250	1	0.125	8	4586	862000	1727	136	35	MNLC30WS1200
12	L	16.25	250	2.25	0.4	10	2293	110000	863	136	42	MNLC30WL1200
14	S	14.125	250	1	0.1	8	5120	2431647	1928.094	183	-	MNLC30WS1400
14	L	18.75	250	2	0.375	10	2560	122809	963.4889	183	-	MNLC30WL1400
16	S	15	250	1.5	0.1	8	4240	2013708	1596.703	237	-	MNLC30WS1600
16	L	20.5	250	3	0.375	10	2120	101701	797.8892	237	-	MNLC30WL1600
18	S	15	250	1.5	0.1	8	6500	3087052	2447.776	298	-	MNLC30WS1800
18	L	20.5	250	3	0.375	10	3240	155430	1219.416	298	-	MNLC30WL1800
20	S	15	250	1.5	0.1	8	7130	3386259	2685.022	362	-	MNLC30WS2000
20	L	20.5	250	3	0.375	10	3600	172700	1354.906	362	-	MNLC30WL2000
22	S	15	250	1.5	0.1	8	11800	5604187	4443.655	434	-	MNLC30WS2200
22	L	20.5	250	3	0.375	10	5900	283035	2220.541	434	-	MNLC30WL2200
24	S	15	250	1.5	0.1	8	12300	5841653	4631.945	512	-	MNLC30WS2400
24	L	20.5	250	3	0.375	10	6200	297427	2333.45	512	-	MNLC30WL2400

	Proposal/Inquiry/Order No.:	NOTES:
	Customer Name:	
	Project Name:	
	Contractor:	
PRINT CERTIFICATION: Certified Correct As Of: _____ By: _____	Model NLC expansion joints combine excellent performance and economy. They can usually be provided quickly.	