



BIF1C

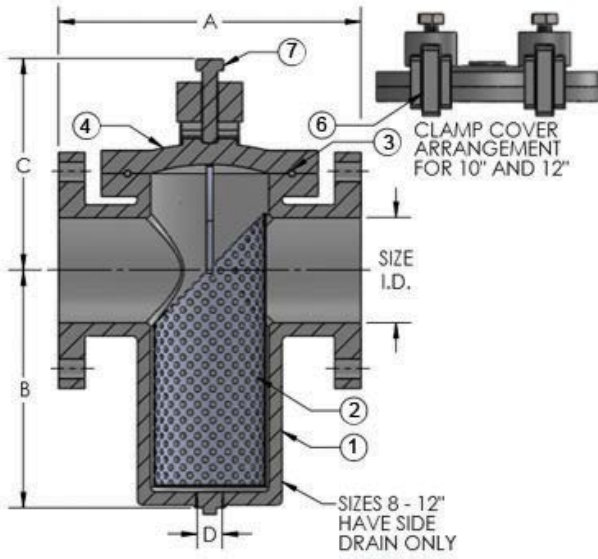
Basket Strainer, 125# Class Flanges, Clamp top
CAST IRON (ASTM A126 CLASS B)

STANDARD SCREENS		
SIZE (in)	SCREEN PERFORATION	
	LIQUID	
	(in)	OPEN AREA
2 to 3	0.045	49%
4 to 12	1/8	43%

The default standard screens are for liquid service unless specified. Many other options are available.

PARTS LIST		
ITEM	DESCRIPTION	MATERIAL
1	BODY	CAST IRON (ASTM 126 CLASS B)
2	SCREEN (BASKET)	STAINLESS STEEL (304)
3	GASKET	EPDM
4	COVER	CAST IRON (ASTMA 126 CLASS B)
5	PIPE PLUG	MALLEABLE IRON
6	HEX HEAD CAP	STEEL (ASTM 106 CLASS B)
7	SCREW CLAMP	STEEL (ASTM A307B)

DIMENSIONS & WEIGHT					
SIZE (in)	A	B	C	D	WT
	(in)				
2	8	5	6 1/4	3/4	26
2-1/2	8-1/4	6	6 1/2	3/4	37
3	9-3/4	7 1/8	7 5/8	3/4	50
4	11-1/2	8	8 7/8	1	74
5	13-1/8	8 3/4	10	1	97
6	14-3/4	9 3/8	10 3/8	1.25	131
8	18-1/2	11 3/4	13 5/8	3/4	236
10	20-1/8	13 3/4	14 1/8	3/4	382
12	26-1/4	16 3/8	17 1/8	1	783



3	120	10	3052
4	277	12	4981
5	443		

PRESSURE V.S. TEMPERATURE

