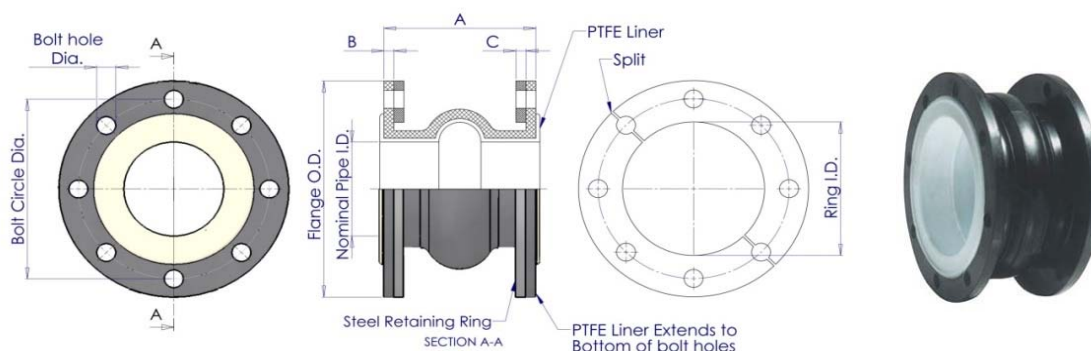


TEFSPOOL PTFE LINED RUBBER EXPANSION JOINT



The Tefspool expansion joints are designed for industrial corrosive chemical applications, with an integral PTFE liner and EPDM rubber. It is used in many industrial applications, including those in the pulp and paper, where the need to resist corrosive attack at higher pressures is paramount. Rated to 250F.

Dimensions				Pressure / Vacuum		Movement				Physicals		Wt	Product No.
Size	A OAL	Rbr Flg	Ret Ring			Axial Comp	Axial Ext	Lateral	Ang	Spring Rate	Eff Area		
in	in	in	in	psi	hg	in	in	in	deg	lbs/in	in ²	lbs	
1.5	6	0.47	0.38	225	30	1.25	0.63	0.63	28	265	1.8	4	USL1ET0150
2	6	0.47	0.38	225	30	1.25	0.63	0.63	25	317	3.1	6	USL1ET0200
2.5	6	0.47	0.38	225	30	1.25	0.63	0.63	20.2	397	4.9	7	USL1ET0250
3	6	0.47	0.38	225	30	1.25	0.63	0.63	18	476	7.1	8.5	USL1ET0300
4	6	0.47	0.38	225	30	1.25	0.63	0.63	14.2	636	12.6	12	USL1ET0400
5	6	0.55	0.38	225	30	1.25	0.63	0.63	13	793	19.6	13.5	USL1ET0500
6	6	0.55	0.38	225	30	1.25	0.63	0.63	12.2	953	28.3	16.4	USL1ET0600
8	6	0.63	0.38	210	30	1.25	0.63	0.63	12	1059	50.3	25.5	USL1ET0800
10	8	0.63	0.38	210	30	2	1	1	11.9	1324	78.5	36	USL1ET1000
12	8	0.75	0.38	210	30	2	1	1	11.3	1588	113.1	43.5	USL1ET1200
14	8	0.87	0.38	150	30	2	1	1	11.5	1390	153.9	55	USL1ET1400
16	8	0.87	0.38	150	30	2	1	1	10.1	1588	201.1	77.5	USL1ET1600
18	8	0.87	0.38	150	30	2	1	1	8.9	1786	254.5	83	USL1ET1800
20	8	0.98	0.38	150	30	2	1	1	8.1	1987	314.2	92	USL1ET2000
24	10	0.98	0.38	110	28	2	1	1	9	2383	452.4	108	USL1ET2400

	Proposal/Inquiry/Order No.	NOTES:
	Customer Name:	
	Project Name:	
	Contractor:	
PRINT CERTIFICATION: Certified Correct As Of: _____ By: _____	compensators by Flexicraft combine excellent performance and economy. They can usually be provided quickly.	