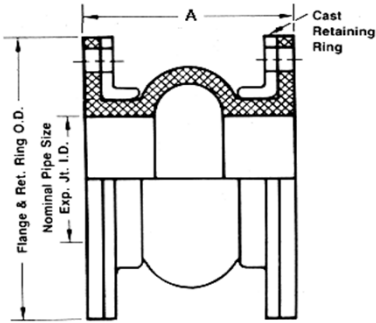


FLEXTRA 150 WIDE ARCH EXPANSION JOINT

BUTYL RUBBER



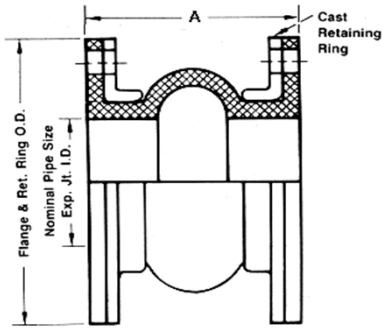
The value leading Flexicraft Flextra 150 rubber expansion joints are an important alternative for diameters between 2" and 24". Flextra 150 expansion joints use an integral sleeve support on the retaining ring, and has a wide arch for greater movements. It is available in butyl and EPDM, and with a filled arch if required.

Rubber Material Butyl
 Retaining Ring Material Ductile Iron
 Temperature Rating 230°F

Dimensions		Pressure/Vacuum		Temp	Movement				Physicals		Weight	Product No.
Size	Length A				Axial Comp	Axial Ext	Lateral	Angular	Spring Rate	Effective Area		
in	in	psi	hg	F	in	in	in	deg	lbs/in	in ²	lbs	
2	6	150	10	230°	1.75	0.75	0.75	35	45	11	5.5	FLX150BB0200
2.5	6	150	10	230°	1.75	0.75	0.75	30	425	14	7.5	FLX150BB0250
3	6	150	10	230°	1.75	0.75	0.75	30	420	17	8.5	FLX150BB0300
4	6	150	10	230°	1.75	0.75	0.75	25	240	29	10	FLX150BB0400
5	6	150	10	230°	1.75	0.75	0.75	25	430	39	12.5	FLX150BB0500
6	6	150	10	230°	1.75	0.75	1	20	345	52	16.5	FLX150BB0600
8	6	150	10	230°	1.75	0.75	1	20	730	80	22	FLX150BB0800
10	8	150	10	230°	1.75	0.75	1	15	870	114	34	FLX150BB1000
12	8	150	10	230°	1.75	0.75	1	15	930	157	45	FLX150BB1200
14	8	130	10	230°	2	0.87	1.18	12	1010	105	55	FLX150BB1400
16	8	110	10	230°	2	0.87	1.18	12	1190	259	64	FLX150BB1600
18	8	110	10	230°	2	0.87	1.18	9	1270	317	71	FLX150BB1800
20	8	110	10	230°	2	0.87	1.18	9	1460	379	82	FLX150BB2000
24	10	100	10	230°	2.25	1	1.18	9	1812	548	102	FLX150BB2400

 "Flexible Piping Solutions"	Proposal/Inquiry/Order No.:	NOTES:
	Customer Name:	
	Project Name:	
	Contractor:	
PRINT CERTIFICATION: Certified Correct As Of: _____ By: _____	The above expansion joints and related hardware, meet or exceed the physical, mechanical or material specifications of the Rubber Expansion Joint Div., Fluid Sealing Association. For additional information, see the Association, "Technical Handbook, Fifth Edition", Chapter II, Paragraph A.1. and Tables II, III, IV.	

FLEXTRA 150 WIDE ARCH EXPANSION JOINT



EPDM RUBBER

The value leading Flexicraft Flextra 150 rubber expansion joints are an important alternative for diameters between 2" and 24". Flextra 150 expansion joints use an integral sleeve support on the retaining ring, and has a wide arch for greater movements. It is available in butyl and EPDM, and with a filled arch if required.



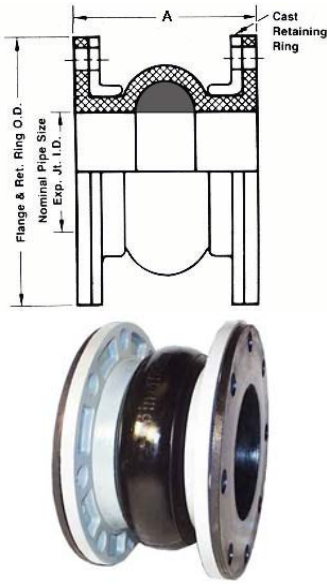
Rubber Material EPDM
 Retaining Ring Material Ductile Iron
 Temperature Rating 250°F

Dimensions		Pressure/Vacuum			Temp	Movement				Physicals		Weight	Product No.
Size	Length A	psi	in Hg	F	Axial Comp	Axial Ext	Lateral	Angular	Spring Rate	Effective Area			
in	in				in	in	in	deg	lbs/in	in ²	lbs		
2	6	150	10	250°	1.75	0.75	0.75	35	45	11	5.5	FLX150EE0200	
2.5	6	150	10	250°	1.75	0.75	0.75	30	425	14	7.5	FLX150EE0250	
3	6	150	10	250°	1.75	0.75	0.75	30	420	17	8.5	FLX150EE0300	
4	6	150	10	250°	1.75	0.75	0.75	25	240	29	10	FLX150EE0400	
5	6	150	10	250°	1.75	0.75	0.75	25	430	39	12.5	FLX150EE0500	
6	6	150	10	250°	1.75	0.75	1	20	345	52	16.5	FLX150EE0600	
8	6	150	10	250°	1.75	0.75	1	20	730	80	22	FLX150EE0800	
10	8	150	10	250°	1.75	0.75	1	15	870	114	34	FLX150EE1000	
12	8	150	10	250°	1.75	0.75	1	15	930	157	45	FLX150EE1200	
14	8	130	10	250°	2	0.87	1.18	12	1010	105	55	FLX150EE1400	
16	8	110	10	250°	2	0.87	1.18	12	1190	259	64	FLX150EE1600	
18	8	110	10	250°	2	0.87	1.18	9	1270	317	71	FLX150EE1800	
20	8	110	10	250°	2	0.87	1.18	9	1460	379	82	FLX150EE2000	
24	10	100	10	250°	2.25	1	1.18	9	1812	548	102	FLX150EE2400	

 "Flexible Piping Solutions"	Proposal/Inquiry/Order No.: _____	NOTES: The above expansion joints and related hardware, meet or exceed the physical, mechanical or material specifications of the Rubber Expansion Joint Div., Fluid Sealing Association. For additional information, see the Association, "Technical Handbook, Fifth Edition", Chapter II, Paragraph A.1. and Tables II, III, IV.
	Customer Name: _____	
	Project Name: _____	
	Contractor: _____	
PRINT CERTIFICATION: Certified Correct As Of: _____ By: _____		

FLEXTRA 150 WIDE ARCH EXPANSION JOINT


FILLED ARCH-BUTYL RUBBER



The value leading Flexcraft Flextra 150 rubber expansion joints are an important alternative for diameters between 2" and 24". Flextra 150 expansion joints use an integral sleeve support on the retaining ring, and has a wide arch for greater movements. It is available in butyl and EPDM, and with a filled arch if required.

Rubber Material Butyl
 Retaining Ring Material Ductile Iron
 Temperature Rating 230°F

Dimensions		Pressure/Vacuum		Temp	Movement				Physicals		Weight	Product No.
Size	Length A				Axial Comp	Axial Ext	Lateral	Angular	Spring Rate	Effective Area		
in	in	psi	in Hg	F	in	in	in	deg	lbs/in	in ²	lbs	
2	6	150	10	230°	0.875	0.375	0.375	35	45	11	5.5	FLX150FA0200
2.5	6	150	10	230°	0.875	0.375	0.375	30	425	14	7.5	FLX150FA0250
3	6	150	10	230°	0.875	0.375	0.375	30	420	17	8.5	FLX150FA0300
4	6	150	10	230°	0.875	0.375	0.375	25	240	29	10	FLX150FA0400
5	6	150	10	230°	0.875	0.375	0.375	25	430	39	12.5	FLX150FA0500
6	6	150	10	230°	0.875	0.375	0.5	20	345	52	16.5	FLX150FA0600
8	6	150	10	230°	0.875	0.375	0.5	20	730	80	22	FLX150FA0800
10	8	150	10	230°	0.875	0.375	0.5	15	870	114	34	FLX150FA1000
12	8	150	10	230°	0.875	0.375	0.5	15	930	157	45	FLX150FA1200
14	8	130	10	230°	1	0.435	0.59	12	1010	105	55	FLX150FA1400
16	8	110	10	230°	1	0.435	0.59	12	1190	259	64	FLX150FA1600
18	8	110	10	230°	1	0.435	0.59	9	1270	317	71	FLX150FA1800
20	8	110	10	230°	1	0.435	0.59	9	1460	379	82	FLX150FA2000
24	10	100	10	230°	1.125	0.5	0.59	9	1812	548	102	FLX150FA2400

 "Flexible Piping Solutions"	Proposal/Inquiry/Order No.:	NOTES:
	Customer Name:	
	Project Name:	
	Contractor:	
PRINT CERTIFICATION: Certified Correct As Of: _____ By: _____	The above expansion joints and related hardware, meet or exceed the physical, mechanical or material specifications of the Rubber Expansion Joint Div., Fluid Sealing Association. For additional information, see the Association, "Technical Handbook, Fifth Edition", Chapter II, Paragraph A.1. and Tables II, III, IV.	